

FAUCET
K-T944-4
ALSO K-410-K

ADA

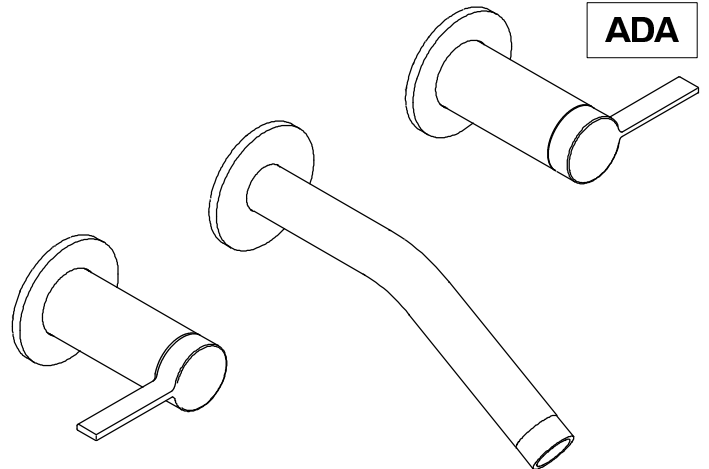
FEATURES

- Dual control wall mounted faucet
- Brass construction
- 2.2 gallons (8 L) per minute
- Lever handles

CODES/STANDARDS APPLICABLE

Specified model meets or exceeds the following:

- ASME/ANSI A112.18.1M
- CSA B125
- Energy Policy Act of 1992
- IAPMO/UPC
- NSF 61

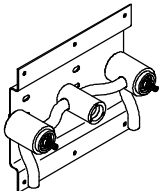


COLORS/FINISHES

- CP Polished Chrome
- Other Refer to Faucets Price Book for additional finishes

SPECIFIED MODEL:

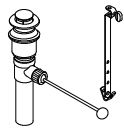

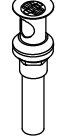

Model	Description	<input type="checkbox"/> CP	<input type="checkbox"/> Other
K-T944-4	Stillness™ Wall-Mount faucet trim	<input type="checkbox"/> CP	<input type="checkbox"/> Other

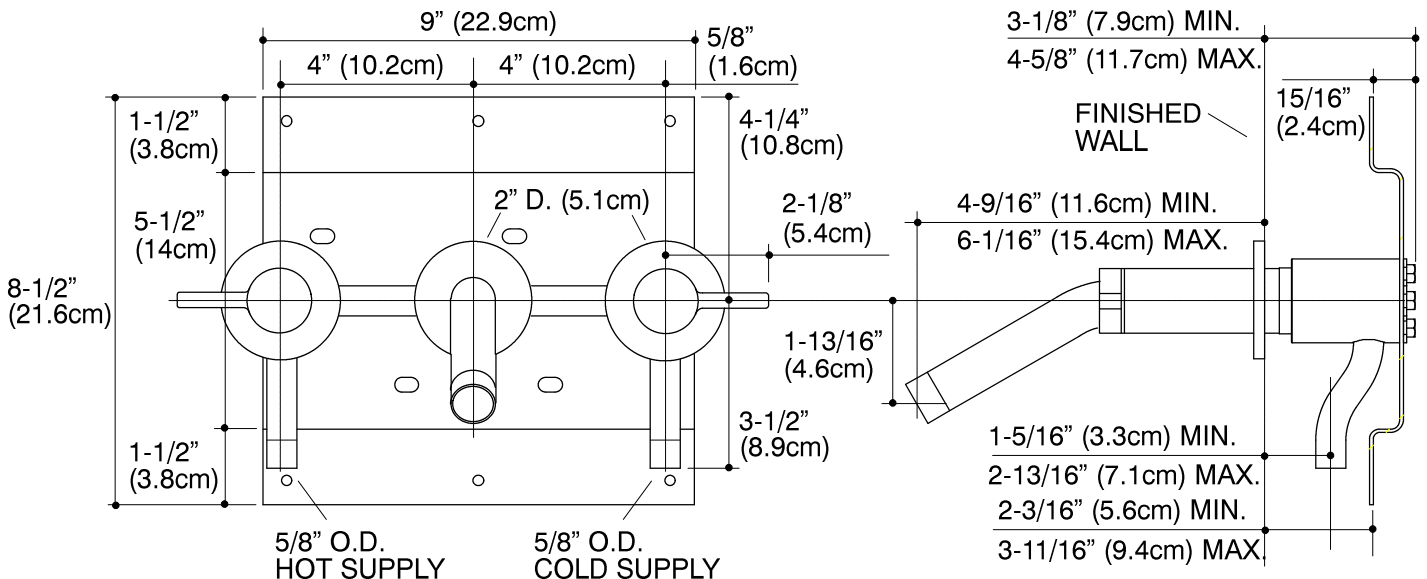
Required Accessory		
K-410-K	Stillness™ Wall-Mount Valve	<input type="checkbox"/> NA

Optional Accessories on Page 2.

al-control wall-mount faucet shall be of brass construction. Product shall include lever handle. Trim shall be Kohler del K-T944-4-_____ with K-410-K-NA valve.

STILLNESS™

Optional Accessories					
K-7702	Pop-Up Lavatory Drain	<input type="checkbox"/> CP			
K-7710	Lavatory Drain		<input type="checkbox"/> CP		
K-7715	Lavatory Drain			<input type="checkbox"/> CP	
K-8801	Duostrainer Sink Strainer				<input type="checkbox"/> CP <input type="checkbox"/> Other_____



Roughing-In Notes

*A 4" (10.2cm) minimum must be maintained between bottom of spout and top of fixture rim.

Three 1-1/2" D. (3.8cm) cut-out holes required for spout and handle.

PRODUCT DIAGRAM