

**LAVATORY FAUCET
K-15261**

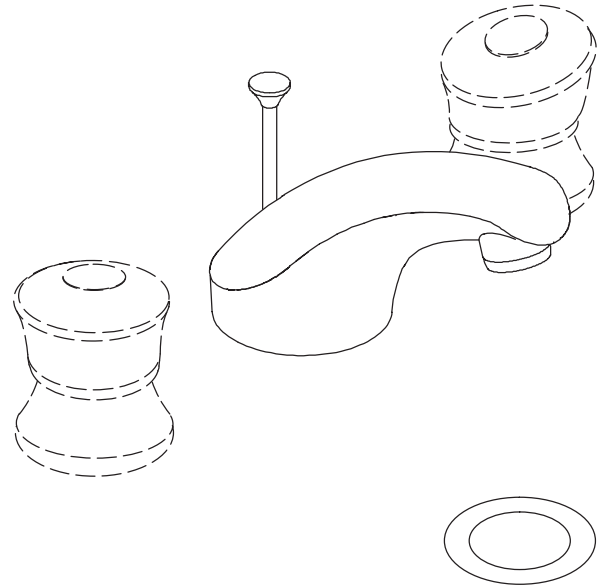
FEATURES

- Metal construction
- Flexible connections
- Brass valve bodies
- Reversible quarter-turn washerless ceramic disc valves
- 4-1/4" (10.8) spout
- 2.2 gallons (8.3L) per minute
- Pop-up drain with lift rod and tailpiece
- Acrylic or lever handles

CODES/STANDARDS APPLICABLE

Specified model meets or exceeds the following:



- ASME/ANSI A112.18.1M
- CSA B125
- Energy Policy Act of 1992
- IAPMO/UPC
- NSF 61



COLORS/FINISHES

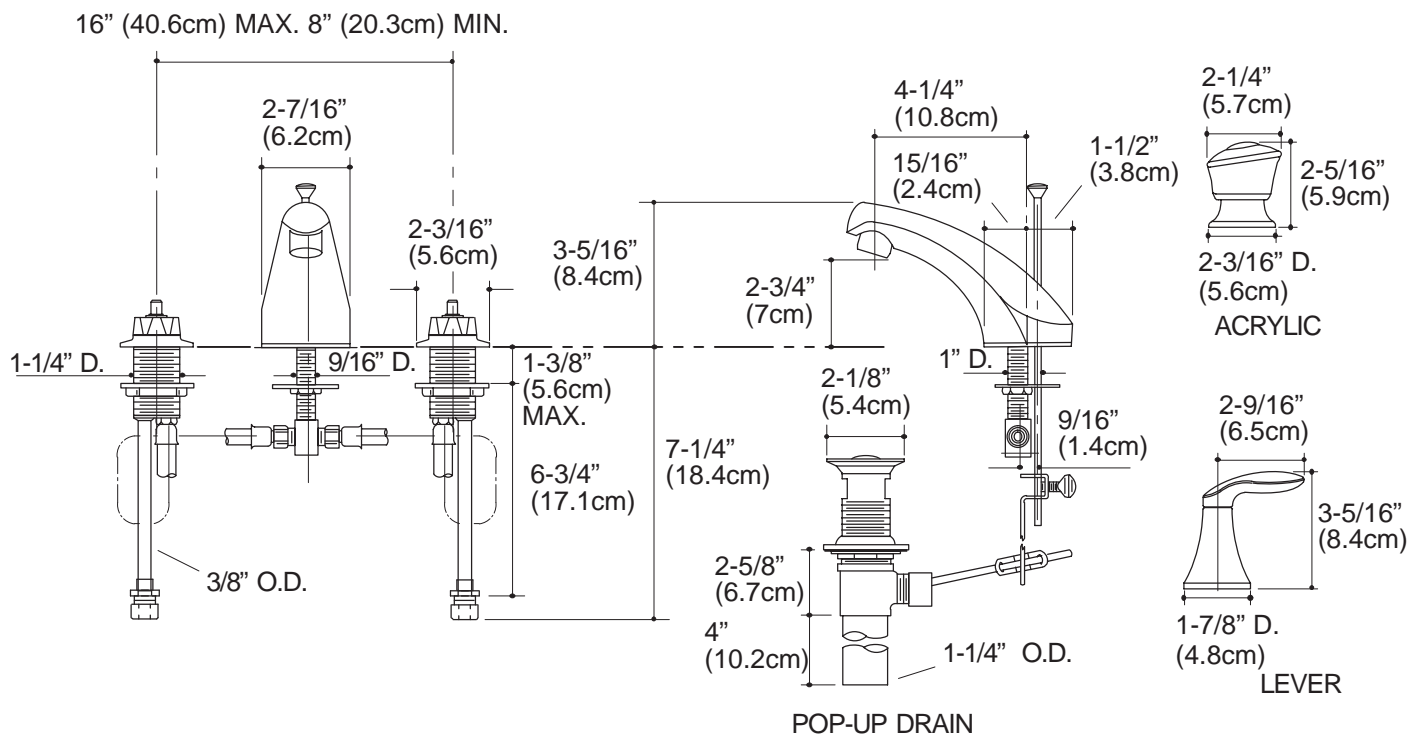
- CP Polished Chrome
- PB Polished Brass

SPECIFIED MODEL:

Model	Description			 ADA
K-15261-7	With Acrylic Handles and Drain	<input type="checkbox"/> CP	<input type="checkbox"/> PB	
K-15261-4	With Lever Handles and Drain			<input type="checkbox"/> CP <input type="checkbox"/> PB

PRODUCT SPECIFICATION:

Two-handle widespread lavatory faucet shall be of metal construction. Faucet shall feature reversible quarter-turn washerless ceramic disc valves, assuring positive handle stop positioning. Product shall include flexible connections, 4-1/4" (10.8cm) spout, pop-up drain with lift rod and tailpiece, and acrylic or lever handles. Faucet shall be Kohler Model K-15261-_____-_____.



316

PRODUCT DIAGRAM