

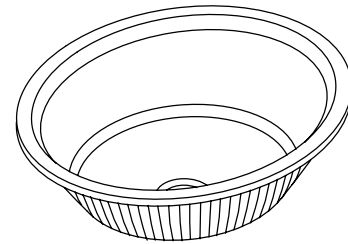
### UNDERCOUNTER/TILE-IN LAVATORY

# K-2816-P

ADA

#### FEATURES

- 18-7/16" x 15-3/8"
- Cast iron
- Undercounter or tile-in
- ADA compliant



#### CODES/STANDARDS APPLICABLE

Specified model meets or exceeds the following:

- ADA
- ASME/ANSI A112.19.1M
- CABO/ANSI A117.1
- IAPMO/UPC
- Canadian Standards Association (CSA)
- State of Massachusetts

#### COLORS/FINISHES

- 0 White
- Other Refer to Fixtures Price Book for additional colors

#### Accessories:

- CP Polished Chrome
- Other Refer to Faucets Price Book for additional finishes

#### SPECIFIED MODEL:

Model	Description	Colors/Finishes	
K-2816-P	Undercounter/tile-In lavatory	<input type="checkbox"/> 0 White	<input type="checkbox"/> Other_____
<b>Required Accessory</b>			
K-7702	Drain	<input type="checkbox"/> CP	<input type="checkbox"/> Other_____
<b>Recommended Accessory</b>			
K-9018	Trap	<input type="checkbox"/> CP	<input type="checkbox"/> Other_____

#### PRODUCT SPECIFICATION:

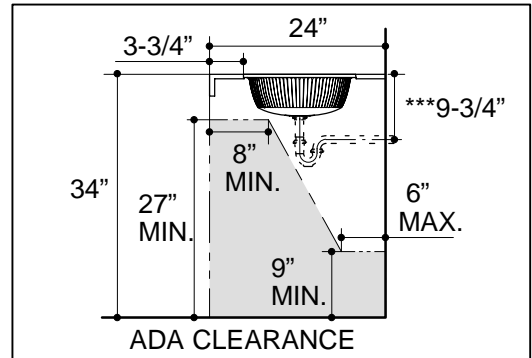
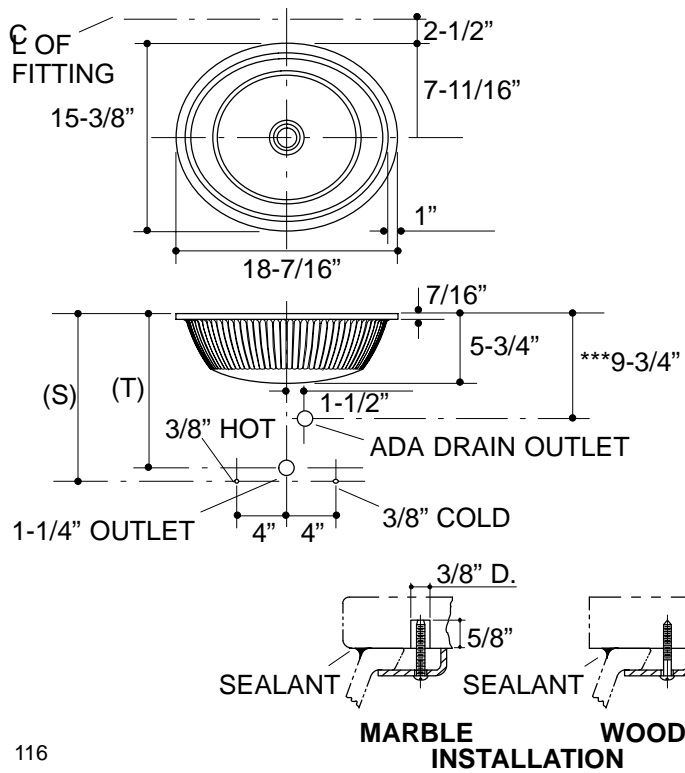
The undercounter or tile-in lavatory shall be 18-7/16" in length, and 15-3/8" in width. Lavatory shall be made of cast iron. Lavatory shall be ADA compliant. Lavatory shall be Kohler Model K-2816-P-\_\_\_\_\_.

# IRON FLUTE™

## PRODUCT INFORMATION

ADA compliant:			
Fixture*:		basin area	water depth
Lavatory		16" x 13"	5-3/8"
Outlet	1-3/4" D.		
* Approximate measurements for comparison only.			

Included Components:	
Adhesive sealant	81489
Basin clamp assembly	52047
Cutout template	1001787



### Roughing-In Notes

(T) Pop-up drain 12-7/8".

(S) 14" (Based on 12" riser which may require cutting).

Supplied basin clamp assemblies require 1" minimum countertop thickness. Installer must supply anchors for thinner countertops.

\*\*\*Based on K-9018, with 1" of tailpiece exposed.

Lavatories without faucet hole drilling require wall-mount faucet with 7" min. spout length.

## PRODUCT DIAGRAM