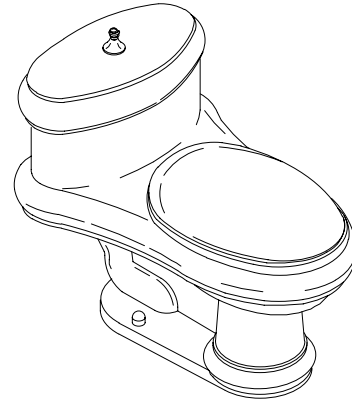


FEATURES

- 12" (30.5cm) rough-in
- Vitreous china
- Elongated bowl
- 10-1/4" x 6-7/8" (26cm x 17.5cm) water area
- 2" (5.1cm) glazed trapway
- Includes seat and cover
- Includes polished chrome lift knob
- One-piece
- Less supply
- Polished brass lift knob and seat trim (-BR)
- Brushed chrome lift knob and polished chrome seat trim (-G)



CODES/STANDARDS APPLICABLE

Specified model meets or exceeds the following:

- ASME/ANSI A112.19.2M
- ASME/ANSI A112.19.6M
- Energy Policy Act of 1992 (EPACT)
- IAPMO/UPC
- CSA International B45
- States of Massachusetts, New York, & Texas
- Cities of Los Angeles, CA

COLORS/FINISHES

- 0 White
- Other Refer to Fixtures Price Book for additional colors

Accessories:

- CP Polished Chrome
- PB Polished Brass
- Other Refer to Price Book for additional colors

SPECIFIED MODEL:

Model	Description	Colors/Finishes	
K-3360	Elongated bowl toilet	<input type="checkbox"/> 0 White	<input type="checkbox"/> Other_____
K-3360-BR	Toilet with polished brass lift knob and seat trim	<input type="checkbox"/> 0 White	<input type="checkbox"/> Other_____
K-3360-G	Toilet with brushed chrome lift knob and polished chrome seat trim	<input type="checkbox"/> 0 White	<input type="checkbox"/> Other_____

Recommended Accessories

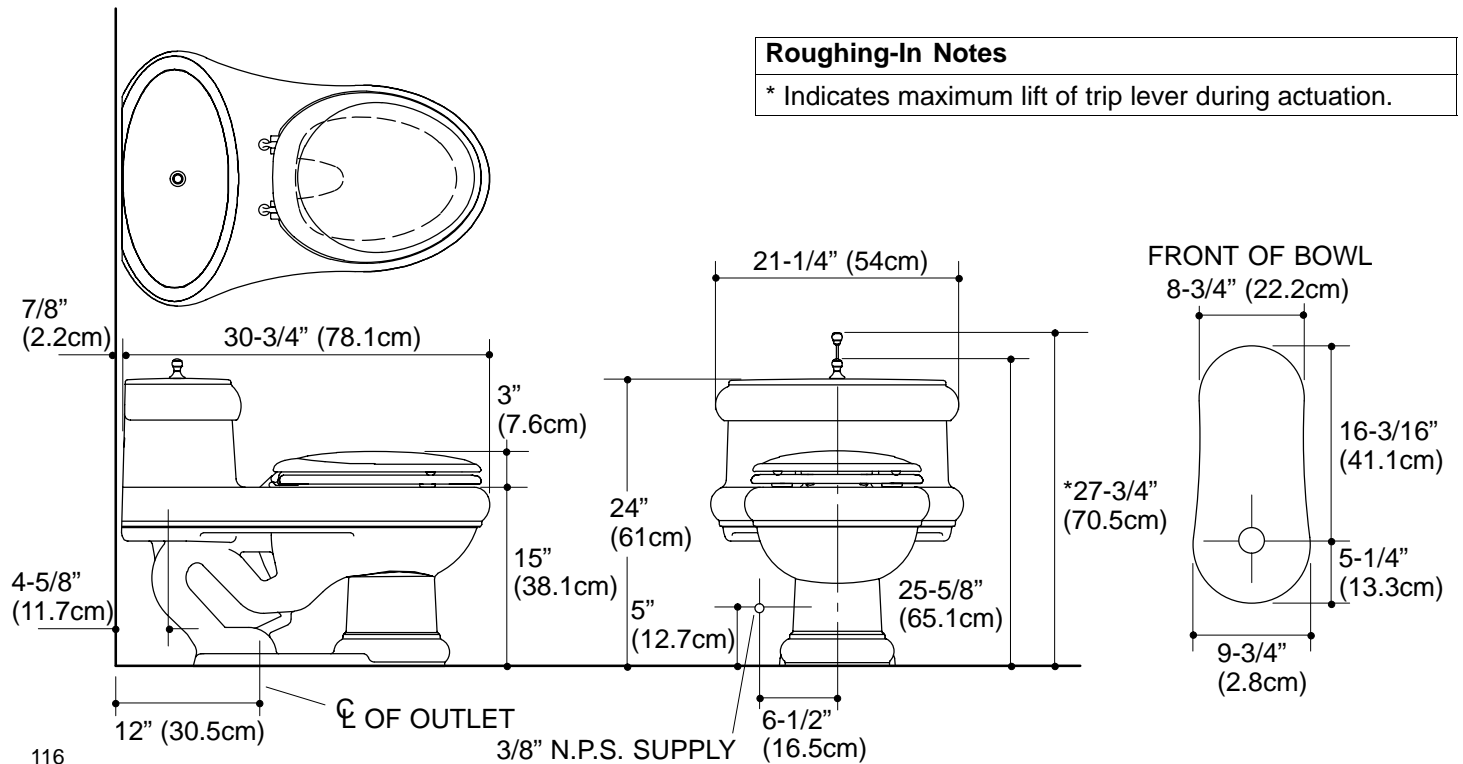
K-7637	Angle supply with stop	<input type="checkbox"/> CP	<input type="checkbox"/> PB	<input type="checkbox"/> Other_____
--------	------------------------	-----------------------------	-----------------------------	-------------------------------------

PRODUCT SPECIFICATION:

The elongated one-piece toilet shall be 12" (30.5cm) rough-in. Toilet shall be made of vitreous china. Toilet shall have 10-1/4" x 6-7/8" (26cm x 17.5cm) water area and 2" (5.1cm) glazed trapway. Toilet shall include seat and cover. Toilet shall include polished chrome lift knob. Toilet shall be less supply. Toilet shall be 1.6 gpf (6 lpf). Toilet shall have polished brass lift knob and seat trim (-BR). Toilet shall have brushed chrome lift knob and polished chrome seat trim (-G). Toilet shall be Kohler Model K-3360-_____ -_____.

PRODUCT INFORMATION

Fixture:	
Configuration	1-piece, elongated
Water per flush	1.6 gal. (6 L)
Passageway	2" (5.1cm)
Water area	10-1/4" x 6-7/8" (26cm x 17.5cm)
Water depth from rim	5-7/8" (14.9cm)
Seat post hole centers	5-1/2" (14cm)
Included Components:	
Tank cover	1000832
Seat	K-4615
Bolt cap accessory pack	52048
Tank accessory pack	84301
Flush actuator	K-9447



PRODUCT DIAGRAM